



# 尺寸：100x100mm,材质：105g铜版纸，4c,风琴折页



Bluetooth Speaker



Model: MY9079BK

**INSTRUCTION MANUAL**

Thank you for purchasing the Myria MY9079BK Speaker. Before using your new product, please read these instructions carefully and retain this manual for future reference.

**Important Instructions**

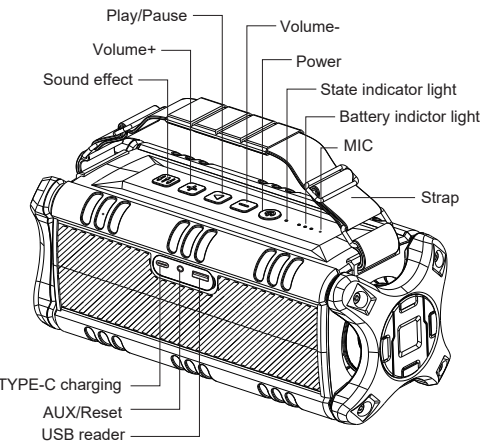
1. Please store and use the speaker at normal temperatures;
2. Do not expose this product to water or close to any heat source;
3. Prevent this product from falling;
4. Do not dismantle or modify the speaker
5. Charge the speaker only with the Type-C charging cable.
6. Too high volume may damage your hearing;
7. In case of fault, disconnect the power supply to prevent further damage;
8. The Bluetooth transmission range or connectivity could be affected by low battery power. In that case, please recharge immediately.

**Packaging includes**

- 1 x Speaker
- 1 x Type-C charging cable

• 1 x AUX-In Cable (Φ3.5mm)  
• 1 x User Manual

**Buttons:**



• Myria MY9079BK Speaker allows you connected wirelessly, or via 3.5mm audio cable.

**Specifications**

- Bluetooth 4.2 Class II, support A2DP V1.2, AVRCPV1.4profiles
- Output power: 40W
- Speaker unit: Diameter 70 mm outside magnet ,4ohm, 20W\*2  
Diameter 30 mm inner magnet ,8ohm, 10W\*2
- SNR: ≥75DB
- THD: ≤10%
- Working time: 6-8 hours (varies by volume level and content)
- Charging voltage/current : TYPE C DC/2000MA
- Support USB Flash Drive, Music format: MP3,WAV,WMA,APE,FLAG
- Transmission: 10M (Vary from environment and devices)
- Battery voltage :7.2V
- Battery : 2500mAh
- Charging time: 4-6 hours
- Product size: 320\*119\*118mm

**Charging the speaker**

The speaker has built-in Lithium battery. The battery is rechargeable and provides approximately 6-8 hours(varies by volume level and content) of continuous

operation once fully charged.  
Note: When the battery charge <3%, the speaker will power off automatically.

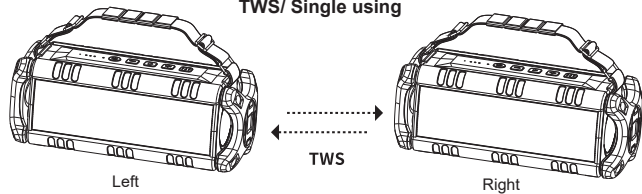
USB Reader Mode	Insert USB reader to USB jack	Indoor:Green LED solid/Outdoor: Green LED slow Flash (every 1 second)
TWS Pairing	Double press "⏏"	Blue and Green LED flash alternately
TWS Successful Pairing	/	Main device blue LED flashes slowly (every second); Auxiliary device Blue LED solid
Disconnect TWS	Press + - together	Blue LED flashes rapidly (every second)
Sound effect switch	Short press "🔊" Sound effect button	Switch between indoor/outdoor sound mode
Volume Up	Short press +	/
Volume Down	Short press -	/
Next Song	Long press +	/
Previous Song	Long press -	/
Pause/Play/Mute	Short Press "⏏" (Mute in AXU mode)	/
Low Battery Alarm	Battery Voltage lower than 6.5V	/
Low Battery Shutdown	Battery Voltage lower than 6.2V	/
Charging	Insert 5V USB	Red LED solid
Charging Finished	Auto completed	Red LED Off
Reset	Use the toothpick or other insulator insert AUX hole	LED off

Note: This Speaker comes with Last memory function on Volume and Mode the speaker will continue the Volume and Mode of the last power off. When power on, off. And the default power on Sound effect is Indoor.

**Operation**

Items	Instructions	LED States
Power On	Long press "⏏" for 2-3 seconds under Power off situation	Blue LED On
Bluetooth pairing	Enter Bluetooth pairing mode automatically	LED OFF
Pairing	Auto to Enter Pairing Mode	Blue LED flashes rapidly (every second)
Successful Pairing	Select VN2282018 on your Phone	Indoor: Blue LED solid /Outdoor: Blue LED flashes slowly (every 2 seconds)
Disconnect Bluetooth	Press "+- " together	Blue LED flashes rapidly (every second)
Bluetooth Reconnection	Will connect automatically with the last connected device	Indoor: Blue LED solid /Outdoor: Blue LED flashes slowly (every 2 seconds)
Receive the Call	Short press "📞" when incoming call (Under TWS, only the Main device have voice)	/
Reject the Call	Long press "📞" when incoming call (Under TWS, only the Main device have voice)	/
Hang up the Call	Short press "📞" when you are on call (Under TWS, only the Main device have voice)	/
Call back	Long press "📞" (Under TWS, only the Main device can talk)	Blue LED solid
Mode Switch	Short press "⏏"	/
AUX Mode	Insert AUX to AXU Mode	Green LED solid

**TWS/ Single using**



**TWS**


1. Turn on two devices, Blue LED flash.
2. Select one of the devices and double press the Power button, and then they will pair each other. (The main device: Blue and Green LED Alternately flash)
3. After successfully pairing, Main device blue LED slow flash, auxiliary device blue LED liquid.
4. In your phone, search VN2282018 and connect, after successfully connecting, the two devices can play music together.
5. Disconnect TWS, press + - buttons together, the Blue LED fast flash (every 2 seconds) means it has been disconnected.

**Troubleshooting**


Problem	Solution
Unable to pair with a Bluetooth device	1. Check if the speaker is in pairing mode or restart the speaker. 2. Check if the speaker is too far away There may be too many surrounding Bluetooth devices. Please turn the other Bluetooth devices off or move away from them
The sound is low or distorted	1. Check the Bluetooth device's volume and adjust it to desired level. Recharge the battery
The music stops from time to time	Check whether the Bluetooth is too far away from the speaker or there is an obstacle in between
Cannot power on or unable to pair	The battery maybe low and require recharging

**Responsible disposal**


At the end of its working life, do not throw this product out with your household rubbish. Electrical and electronic products contain substances that can have a detrimental effect on the environment and human health if disposed of inappropriately. Observe any local regulations regarding the disposal of electrical consumer goods and dispose of it appropriately for recycling. Contact your local authorities for advice on recycling facilities in your area. Please keep the original packaging carton and materials in a safe place. It will help to prevent any damage if the product needs to be transported in the future. In the event it is to be disposed of, please recycle all packaging material where possible.




**WARNING:** This appliance can be used by children aged from 8 years and above and persons with reduced physical, sensory or mental capabilities or lack of experience and knowledge if they have been given supervision or instruction concerning use of the appliance in a safe way and understand the hazards involved. Children shall not play with the appliance. Cleaning and user maintenance shall not be made by children without supervision.



**Correct disposal of this product (Waste Electrical & Electronic Equipment, WEEE)**  
Your product is designed and manufactured with high quality materials and components which can be recycled and reused. This symbol means that electrical and electronic equipment, at their end-of-life should be disposed of separately from your household waste.  
Please dispose of this equipment at your local community waste collection/recycling center.



This product complies with European safety and electrical interference directives



This product does not contain environmentally hazardous materials (lead, mercury, cadmium, hexavalent chromium and brominated flammable agents: PBB and PBDE).